

CLASSIFICATION BOTTOM ATTACHMENT

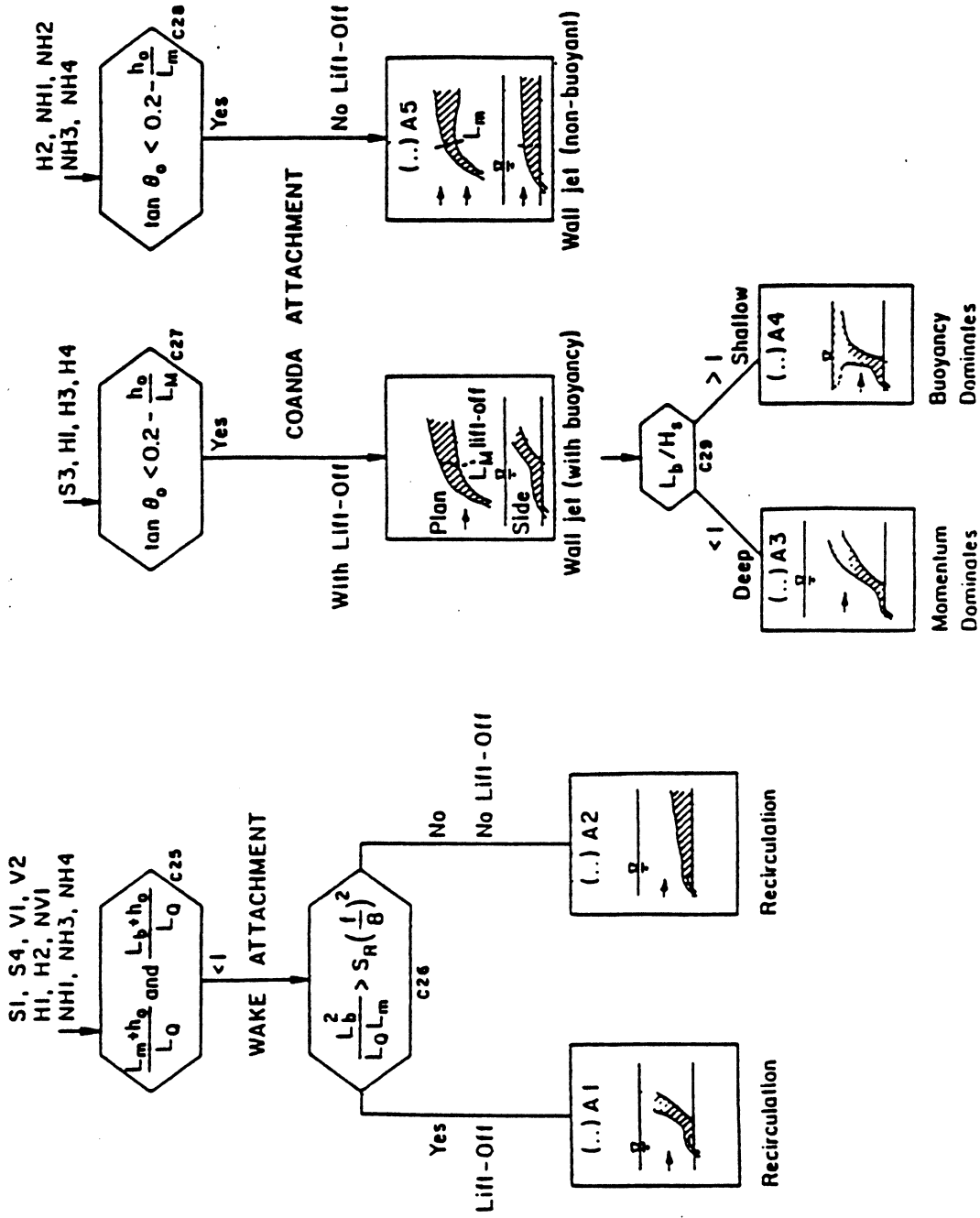


Figure A.4: CORMIX1 Classification: Dynamic bottom attachment of discharge due to wake or Coanda attachment