

Visualization

Test

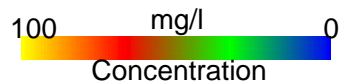
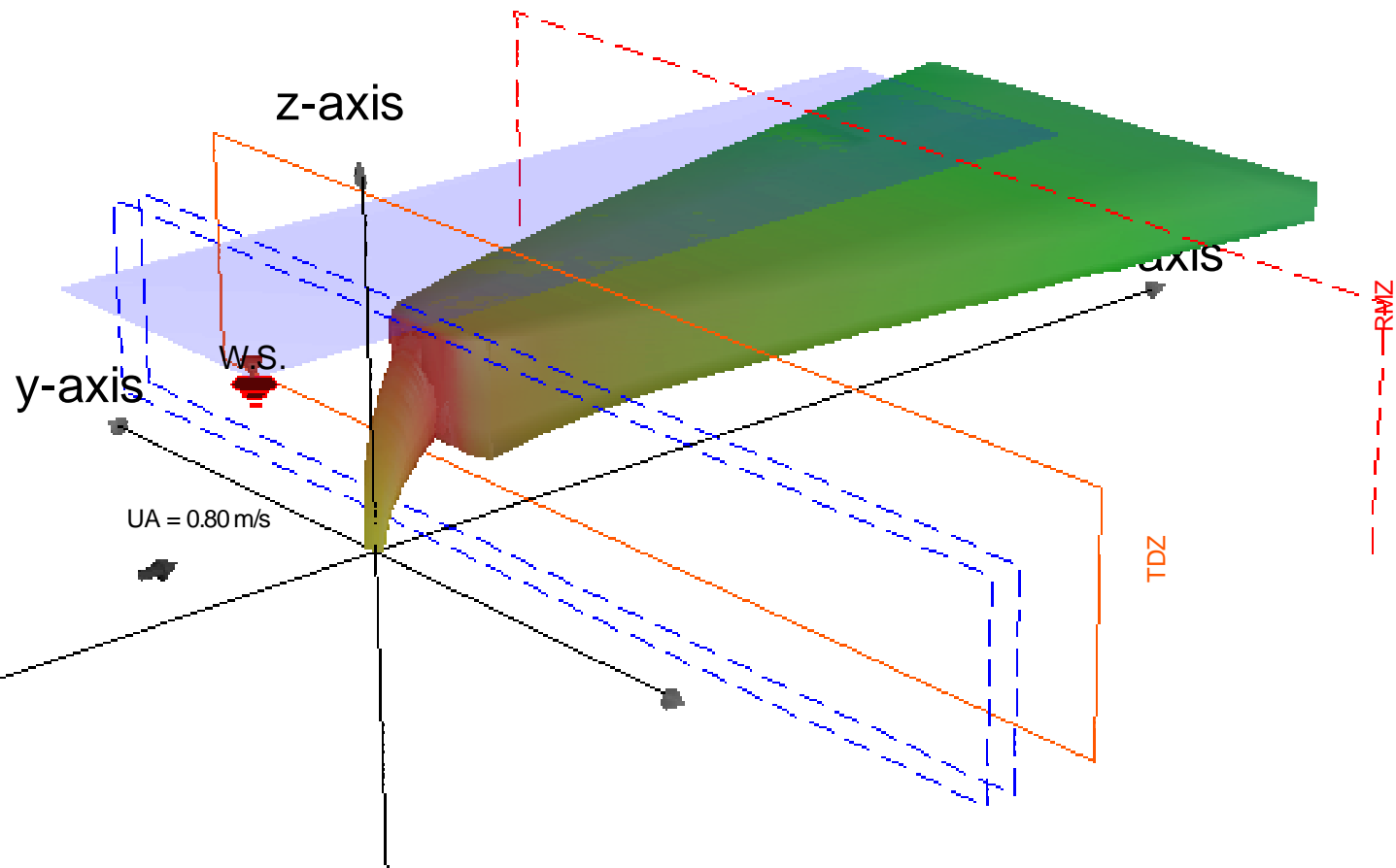
Time of Run: Thu Sep 14 13:47:14 2000

Cormix1 Simulation

C:\temp\CorVueV2vis1.prd

Flow Class: V2

MOD 131
MOD 141



Distortion Scale:
Y:X = 2.200 Z:X = 3.656

— Toxic Dilution Zone
- - - Regulatory Mixing Zone
- - - Module boundary
- - - Plume Centerline